

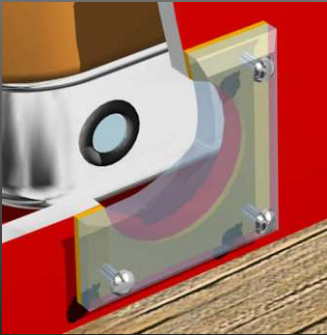
SCSR BOX

Store your Self Rescuers in a clean-safe environment



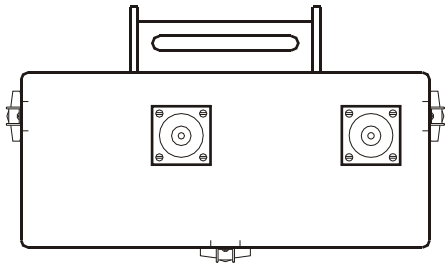
Sealed tight to protect the SCSR units.
Easy viewing of indicators without opening the box.
Quick retrieval in the time of need.
Available in (2) unit & (5) unit models.

See back of page for details.

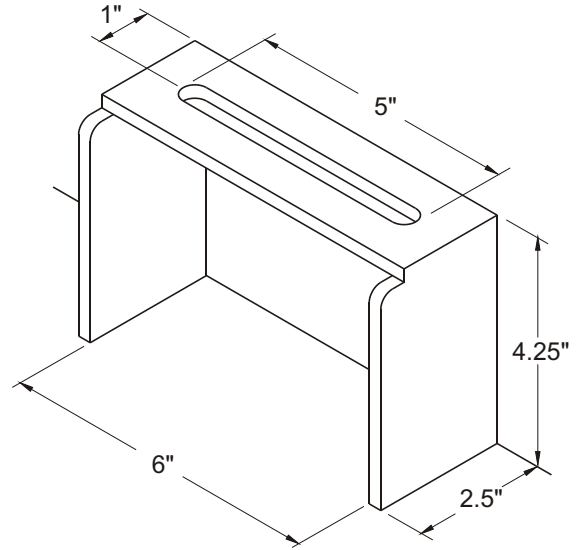
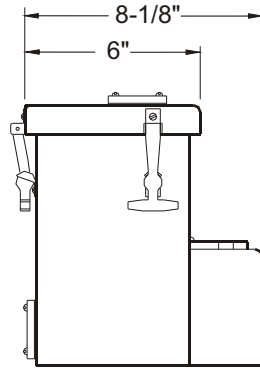
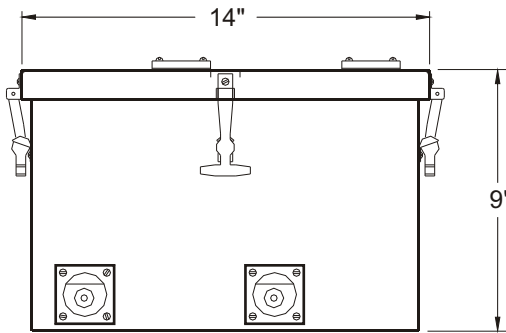


3 points to assure you your Self Rescuers are ready when you need them

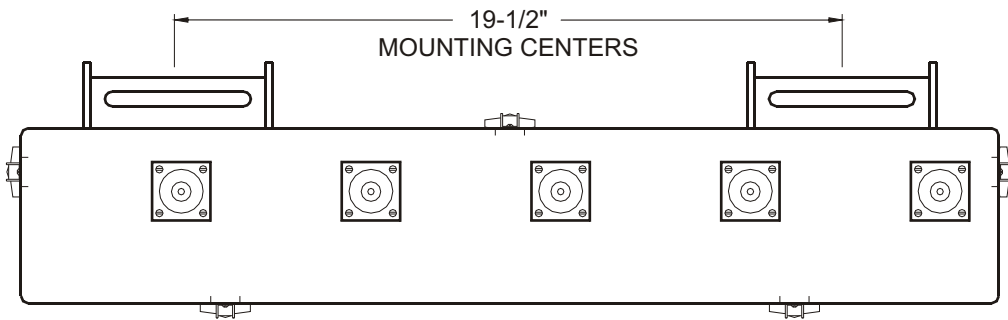
1. The SCSR Box is constructed of 1/4" thick aluminum plate welded air tight.
2. Lenses are 1/4" thick plexiglass sealed with a rubber gasket.
3. The lid is pulled tight with non corrosive stainless steel and rubber fasteners, and sealed with a foam rubber gasket.



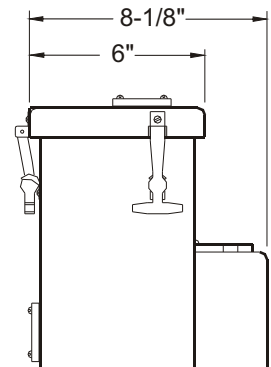
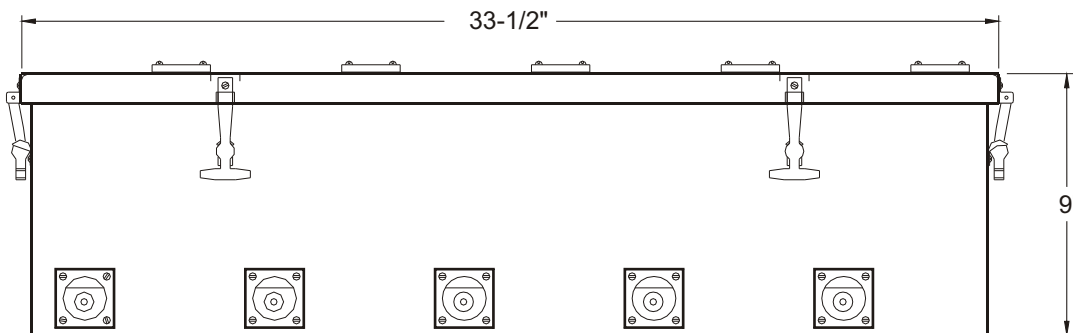
**(2) UNIT BOX
P/N SP-955-000-00**



Standard Mounting designed with a 1/2" slot to slide over beltway clips. Mounting can be modified for your application



**(5) UNIT BOX
P/N SP-955-100-00**



FOR ORDERING & PRICING INFORMATION CONTACT CUSTOMER SERVICE AT:

SWANSON INDUSTRIES, INC.

437 Goshen Road
Morgantown, WV 26505
Phone: (304) 296-8371
Fax: (304) 284-5164
www.swansonindustries.com